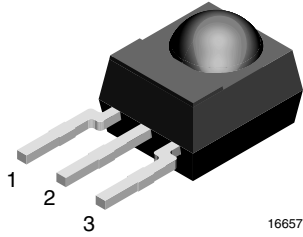
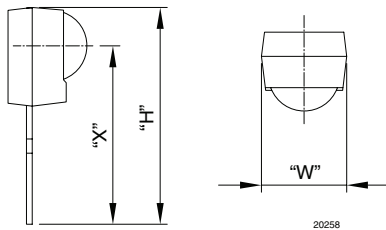


# IR Receiver Modules for Remote Control Systems



16657



20258

**FEATURES**

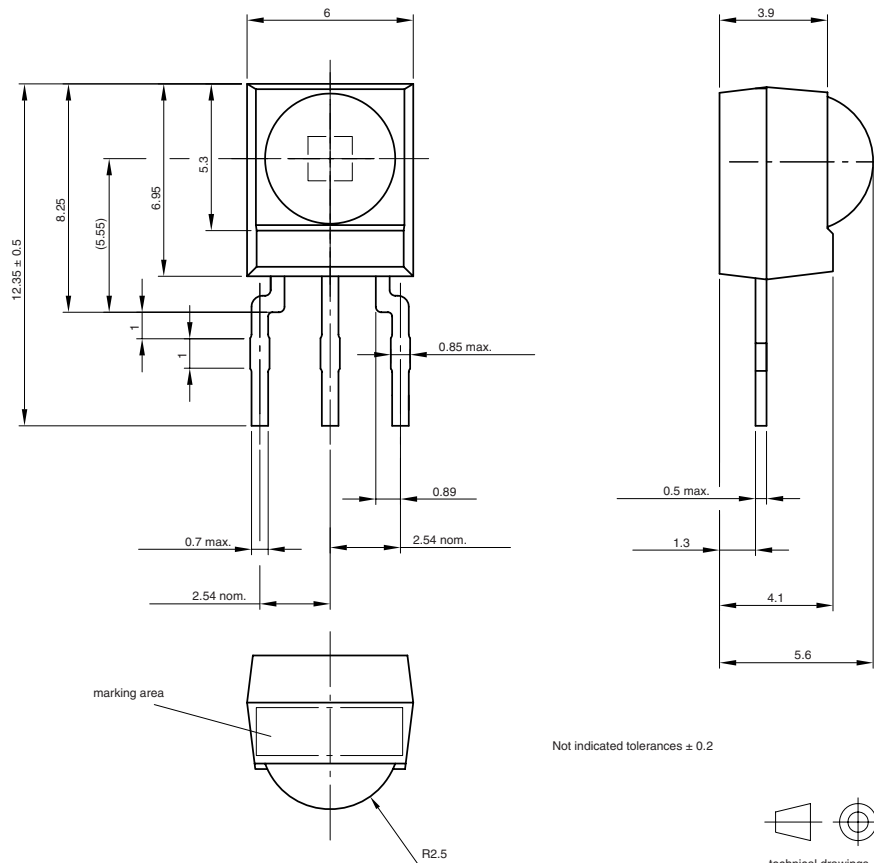
- Compliant to RoHS directive 2002/95/EC and in accordance to WEEE 2002/96/EC


**AVAILABLE FOR:**

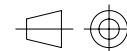
- TSOP34...
- TSOP4....
- TSOP32...
- TSOP2....


**RoHS**  
COMPLIANT

NAME	LENS AXIS (X)	VIEW	TYPE	HEIGHT (H)	WIDTH (W)	DEPTH (D)
SI1	9.65		Cut	12.35	6	

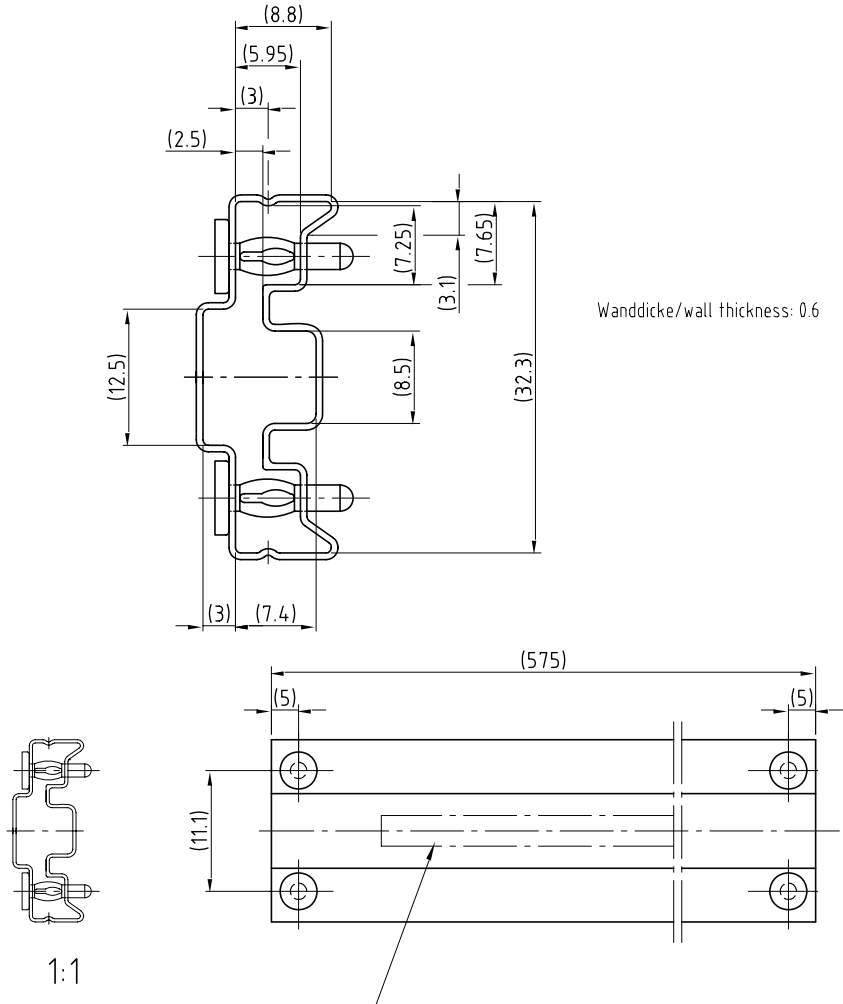
**MECHANICAL DIMENSIONS** in millimeters


Not indicated tolerances ± 0.2


 technical drawings  
according to DIN  
specifications

 Drawing-No.: 6.550-5169.04-4  
Issue: 5; 04.08.09  
16248

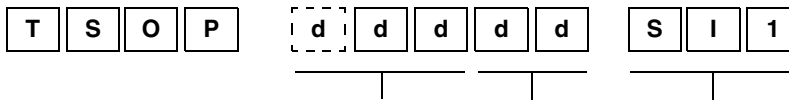
**PACKAGING DIMENSIONS** in millimeters



Drawing-No.: 9.700-5185.0-4  
 Rev. 13; Date: 20.11.03  
 20273-1

Druck / Printing for tubes  
 1.400-5548.0-3 Version 1

**ORDERING INFORMATION**



2 or 3 digit product series    2 digit frequency    Holder type

**Note**

d = "digit", please consult the list of available series on the previous page to create a valid part number.

**Example: TSOP14838SI1**

**PACKING QUANTITY**

- 90 pieces per tube
- 24 tubes per carton